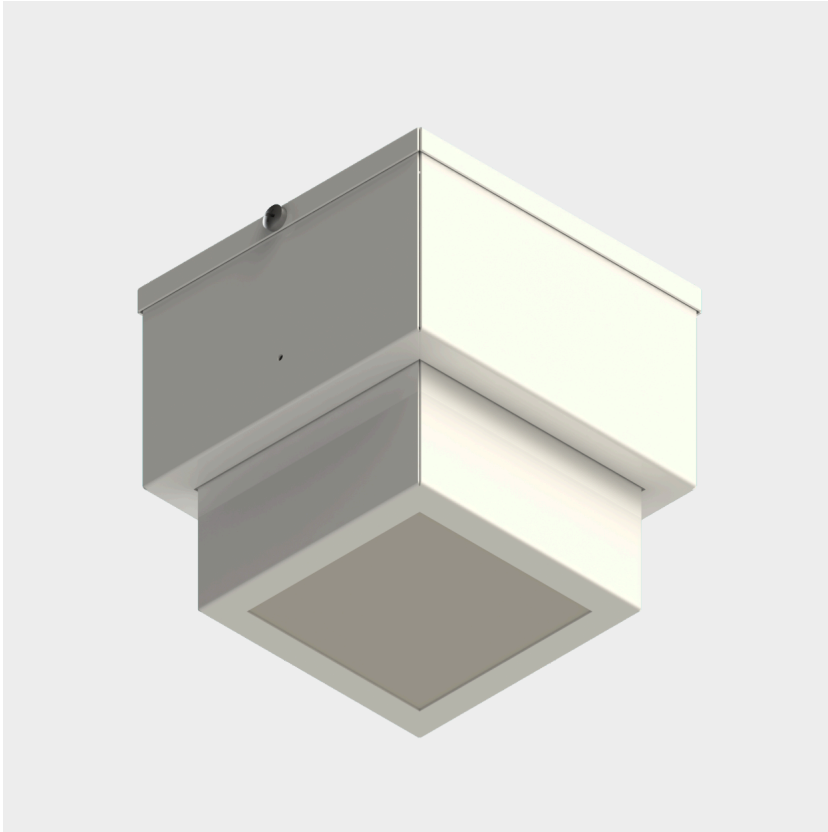




# DG 0185 KLP



Type Code	Power (w)	CCT (K)	Light Output (lm)	CRI	V/Hz	Weight (Kg)	Cut-out Size (mm)
LEX565.1.1.FF.00	4	4000	325	80	220 - 240 / 50 - 60	1	84x84 Petek Tavan

